

LED BUILT-IN SPOT LECCO



Art. no. 50258355 | 50258755 | 50258756



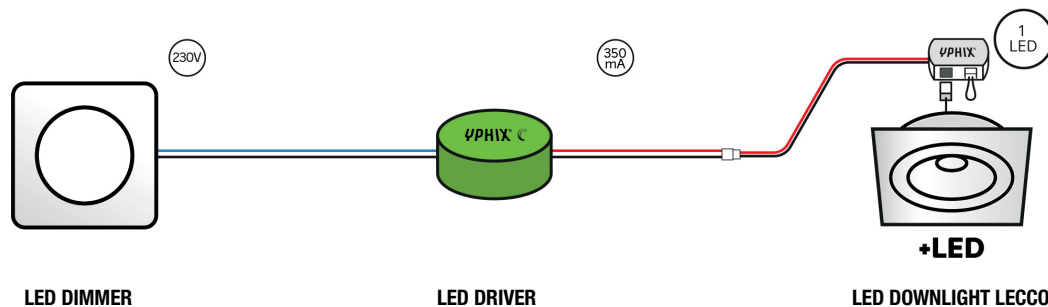
DIMMABLE WITH WALL DIMMER

Every LED built-in spot will be delivered including a connector box (2m wires included). Please note that a separate driver is needed to install the built-in spot Lecco.

Choose the LED dimmer trailing edge together with a dimmable 350mA LED driver (multiple drivers can be connected with one dimmer). We offer 2 different drivers.

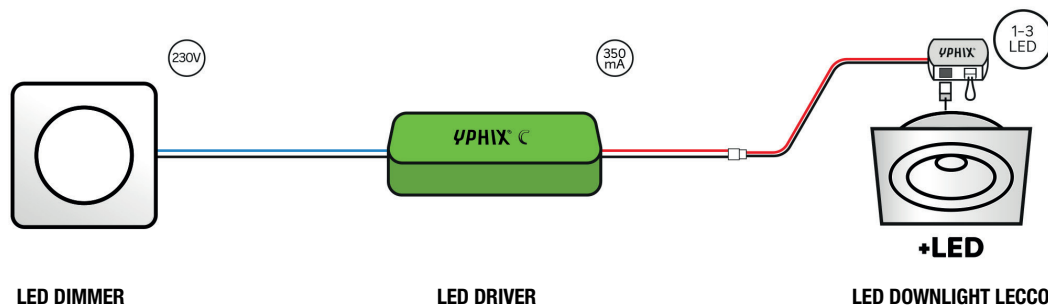
PRODUCT COMBINATION

- LED dimmer 5-350W flush-mounted 230V phase cut-off Art. no. 50348501
- LED Driver 350mA Max. 5W 8-14V dimmable Art. no. 50349103
- LED built-in spot Lecco square 5W 2700K IP65 dimmable Art. no. 50258355 | 50258755 | 50258756



PRODUCT COMBINATION

- LED dimmer 5-350W flush-mounted 230V phase cut-off Art. no. 50348501
- LED Driver 350mA Max. 18W 15-52V dimmable Art. no. 50349135
- LED built-in spot Lecco square 5W 2700K IP65 dimmable Art. no. 50258355 | 50258755 | 50258756



LED BUILT-IN SPOT LECCO



50258355 | 50258755 | 50258756



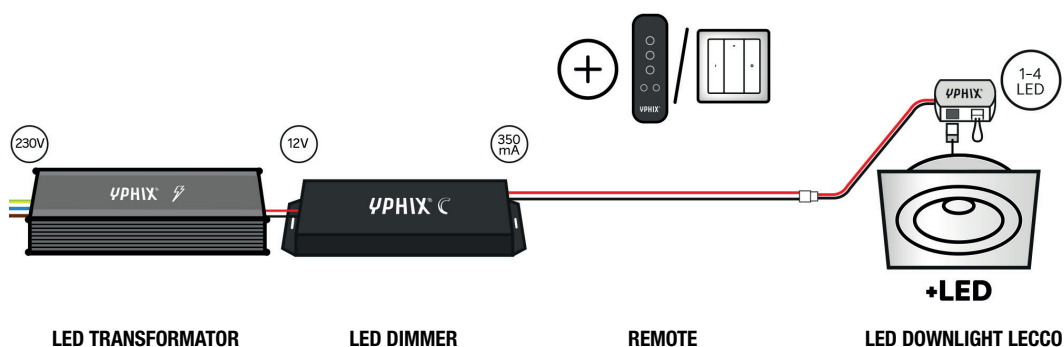
DIMMABLE WITH RF REMOTE

Every LED built-in spot will be delivered including a connector box (2m wires included). Please note that a separate driver is needed to install the built-in spot Lecco.

Combined with the 24V LED transformer 60W and LED dimmer CC 350 5ZD, it is possible to dim and switch 4 LED built-in spots wireless. It is also not a problem to control more spots. Just use an extra set of transformer and dimmer! Multiple dimmers can be connected to the same remote, so for 8 spots, 2 transformers, 2 dimmers and one remote are needed. Please note that every dimmer needs its own transformer.

PRODUCT COMBINATION

- LED transformer 24V 2.5A Max. 60W Art. no. 50089455
- LED dimmer CC 350 5ZD Art. no. 50208635
- Remote (one or both):
 - RF remote control for YPHIX wireless 230 V LED dimmer Art. no. 50208504
 - Wireless wall-mounted controller RF dimmers 1 zone* Art. no. 50208687
- LED built-in spot Lecco square 5W 2700K IP65 dimmable Art. no. 50258355 | 50258755 | 50258756



*OTHER OPTION

REMOTE	
1	RF Remote control for LED Dimmers CV-5ZD CC-350-5ZD and CC-700-5ZD black Art. no. 50208610
2	Wireless wall-mounted controller RF dimmers 4 zones Art. no. 50208688

LED BUILT-IN SPOT LECCO



50258355 | 50258755 | 50258756



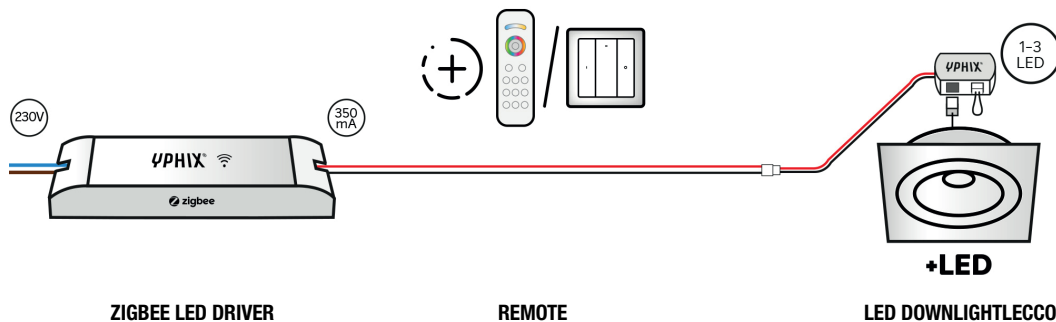
DIMMABLE WITH ZIGBEE

Every LED built-in spot will be delivered including a connector box (2m wires included). Please note that a separate driver is needed to install the built-in spot Lecco.

Combined with the Zigbee driver, you can control this LED built-in spot “Smart”. You can place 1-3 spots on a driver. This Zigbee driver can be connected with your Hub (control via smartphone), but it is also possible to only use a Zigbee wall remote. Using multiple wall remote with one driver is also an option. The wall remote can be connected with your hub, so you can control your built-in spot(s) in multiple ways.

PRODUCT COMBINATION

- Zigbee LED driver 350-1400mA 50W Art. no. 50208702
- Remote (one or both):
 - Wireless wall control Zigbee 1 zone* Art. no. 50208689
 - Smart LED remote control white Art. no. 50208520
- LED built-in spot Lecco square 5W 2700K IP65 dimmable Art. no. 50258355 | 50258755 | 50258756



YPHIX.COM

*OTHER OPTION

REMOTE	
1	Wireless wall control Zigbee 2 zones Art. no. 50208690
2	Wireless wall control Zigbee 4 zones Art. no. 50208691

REMOTE KINETIC	
1	Wireless wall control Zigbee 1 zone kinetic Art. no. 50208790
2	Wireless wall control Zigbee 2 zones kinetic Art. no. 50208791

REMOTE FRIENDS OF HUE	
1	Wireless wall control Friends of Hue kinetic Art. no. 50208795
2	Wireless wall control Friends of Hue Art. no. 50208697